



HONDA



HR-V



SPORT HYBRID i-DCD
Intelligent Dual-Clutch Drive

With the HR-V Hybrid, power has met intelligence. Embrace the best of both worlds – the present and the future – via the innovative Sport Hybrid i-DCD system. You will not only save fuel, but also advance with power that's nothing short of electrifying.

POWER  **DESIRE** **RS**

Set pulses racing with the HR-V RS' dynamic styling and sporty driving. Featuring a host of design enhancements to complement its responsive handling and class-leading cabin space, it's bound to ignite your desire for a bigger slice of life.

ENHANCED TO AWE

From the head- and taillights to the bumpers and front chrome grille, every enhancement on the HR-V RS is part of a statement of style unlike any other. Wow the crowd when you arrive, leave them speechless when you depart.



REAR COMBI LED GUIDE LIGHTS**

Designed to provide better visibility for drivers behind. Redesigned to provide a better view.

LED HEADLIGHTS** WITH LED DAYTIME RUNNING LIGHTS (DRL)

Enjoy better visibility at night, improve visibility for other drivers during the day.

SPORT DESIGN FRONT CHROME GRILLE*

Nothing says 'lead the way' like a bold, sporty Front Chrome Grille.

LED FOG LIGHTS**

Boost brightness to enhance visibility in low lighting conditions.

SPORTY REAR DOOR HANDLES

A subtle, dynamic styling inspired by the sleek look of a coupé.

TAILGATE SPOILER & LED TAILLIGHTS

Leave an impression with a sleek Tailgate Spoiler and striking LED Taillights.

DUAL-TONE ALLOY WHEELS

Blaze new trails with an eye-catching fusion of style and function.

18" wheels for the RS

17" wheels for the Hybrid and other variants

*Only available for the RS. **Only available for the RS and V variants. Actual model, features and specifications may vary in detail from images shown. Features and specifications are subject to change without prior notice.

FEATURES AT THE HEART OF DESIRE

From basic essentials to the most advanced features, you'll find that every detail in the HR-V is designed to enrich the thrill of simply being inside it.

HANDS-FREE TELEPHONE STEERING SWITCH

Answer calls at the touch of a button, so you can keep your hands on the steering wheel.

STEERING AUDIO SWITCH

Keep your eyes on the road, and your fingers on your tunes.

AMBIENT METER

Customise your ambient meter to suit your mood. Choose from 7 colours.

7" DISPLAY AUDIO**

Enjoy a suite of entertainment on a display that's sure to be music to your ears.

LEATHER GEAR SHIFT LEVER

Sleek, sporty design for a smooth, sporty driving experience. Now upgraded with leather finishing.

SPORT PEDAL*

Accelerate with confidence via a stylish anti-slip Sport Pedal.

*Only available for the RS. **Only available for the RS and V variants. Actual model, features and specifications may vary in detail from images shown. Features and specifications are subject to change without prior notice.

CLASS-LEADING SPACE, ADVANCED COMFORT

Step into the HR-V and you'll discover that every feature is designed with your enjoyment and comfort in mind, from its Class-Leading Cabin Space to the High Deck Centre Console with Armrest, providing support and personal space while you sit back and relax.

FULL LEATHER SEATS**

Feel the comfort of premium leather in a sporty vehicle, now with ivory finishing* for a touch of added class.

TRUNK SPACE

Low floor, wide opening for effortless loading and unloading.



MULTI-UTILITY CARGO SPACE

Featuring 3 customisable modes for all your lifestyle needs.

TALL MODE

Rear seats can be folded up for plenty of floor-to-ceiling space.



LONG MODE

Front passenger and rear seats can be reclined to fit long items.



UTILITY MODE

Rear seats can be lowered to free up space in the back.



8-WAY DRIVER POWER SEAT**

Getting your driving position just right is now a snap, so is ensuring extra comfort on long drives.



CLASS-LEADING CABIN SPACE

Comfortable and generous space for everyone, the biggest in the compact SUV class.





PERFORMANCE AS STUNNING AS ITS STYLING

Boasting a powerful 1.8L i-VTEC SOHC engine to go with its smooth acceleration via the Continuous Variable Transmission (CVT), the HR-V also features ECO Assist and ECON Mode for improved fuel efficiency and reduced carbon footprint. All to ensure it has the substance to go with its style.

1.8L i-VTEC SOHC ENGINE

Maximum power:
142 PS (105 kW) @ 6,500 rpm
Maximum torque:
172 Nm @ 4,300 rpm



CONTINUOUS VARIABLE TRANSMISSION (CVT)^{***}

Enjoy a smoother drive with seamless acceleration.



ECON MODE

Cruise smoothly with ECON Mode, which increases fuel efficiency at the touch of a button.

ECO ASSIST

A colour-changing light that reflects your driving style, helping to maximise fuel efficiency.

PUSH START BUTTON

Ignite the engine at the touch of a button.

VARIABLE GEAR RATIO STEERING SYSTEM (VGR)^{*}

An advanced steering system that automatically customises the amount of steering angle and gear ratio based on driving speed, resulting in greater control, comfort and stability.

PADDLE SHIFT

Shift gears quickly and precisely for an exhilarating drive.

CRUISE CONTROL

Lets you cruise at the speed you want effortlessly.

WINDING ROADS

Reduced steering movement and effort for greater driving comfort.

CORNERING

Increased responsiveness for a sporty driving experience.

^{*}Only available for the RS. ^{***}Only available for the petrol variants. Actual model, features and specifications may vary in detail from images shown. Features and specifications are subject to change without prior notice.

THRILLS, POWERED BY ADVANCED SAFETY

Travel, explore, indulge. Do it all with the peace of mind from knowing you and your loved ones are fully protected in the HR-V.



6 AIRBAGS

Equipped with 2 front airbags, 2 side airbags and 2 side curtain airbags for optimum safety.



Honda LANEWATCH**

Enhances the side view while reducing blind spots for safer lane changing.



HILL START ASSIST (HSA)

Helps to prevent the car from rolling backwards when the brakes are released on an incline.



MULTI-ANGLE REARVIEW CAMERA

Reverse parking has never been easier, with three different views for added safety: wide, normal and top-down.



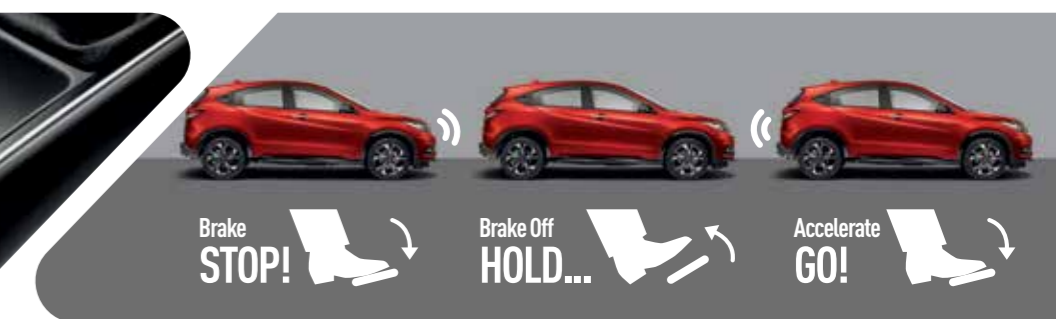
EMERGENCY STOP SIGNAL (ESS)

Rear brake lights and hazard lights light up when you brake to warn other drivers.



ELECTRIC PARKING BRAKE (EPB)

Putting on the handbrake is now as easy as pushing a button.



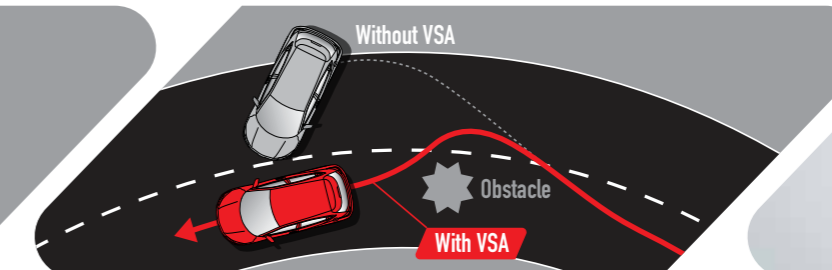
AUTO BRAKE HOLD (ABH)

Holds the vehicle in a braking position without the driver having to keep his foot down on the brake pedal.



ISO FIX

Equipped with the international standard for attachment points in child safety.



VEHICLE STABILITY ASSIST (VSA)

Stay on track with the help of VSA, an advanced safety technology which reduces understeer or oversteer around tight corners.



G-CON

Honda's G-CON technology controls the impact energy (G-Force) of a collision and reduces injuries to the vehicle occupants.

**Only available for the RS and V variants. Actual model, features and specifications may vary in detail from images shown. Features and specifications are subject to change without prior notice.

POWER, EVOLVED

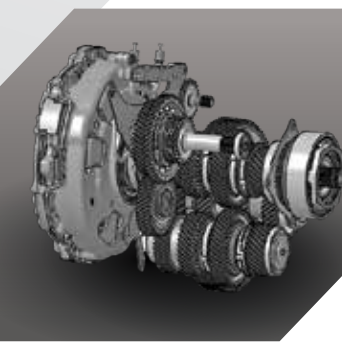
SPORT HYBRID i-DCD
Intelligent Dual-Clutch Drive

The HR-V Hybrid is powered by the Sport Hybrid i-DCD system. It's a combination of electric motor and a 1.5L engine with direct injection, which ensures optimum fuel efficiency and an exhilarating performance.



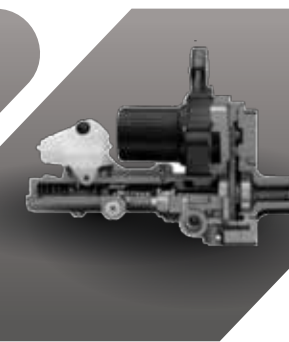
HIGH-POWER LITHIUM-ION BATTERY

Powerful yet durable, it's high capacity in a compact package.



7-SPEED DUAL-CLUTCH TRANSMISSION WITH HIGH-POWER ELECTRIC MOTOR

Dual clutches enable quick gear-shifting to enhance the thrill made possible by the High-Power Electric Motor.



ELECTRIC SERVO BRAKE SYSTEM

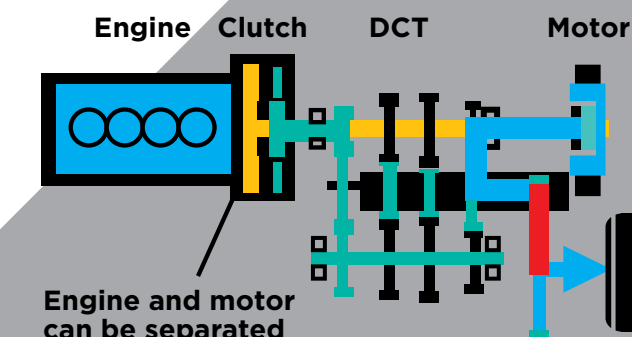
An integrated electronic control unit that enables a greater battery recharge rate when braking. This enhances braking comfort and gives a longer ride in EV mode.



FULLY ELECTRIC DRIVEN COMPRESSOR

Reduces the load on the engine, allowing the air conditioner to cool when idle stop is activated.

SPORT HYBRID i-DCD
Intelligent Dual-Clutch Drive



EARTH DREAMS
TECHNOLOGY



1.5L DOHC i-VTEC ENGINE WITH DIRECT INJECTION

A powerful engine designed for advanced performance without sacrificing fuel efficiency.



3D ILLUMINATED METER CLUSTER

A stylish Multi-Information Display that shows your car's energy flow, consumption and more.



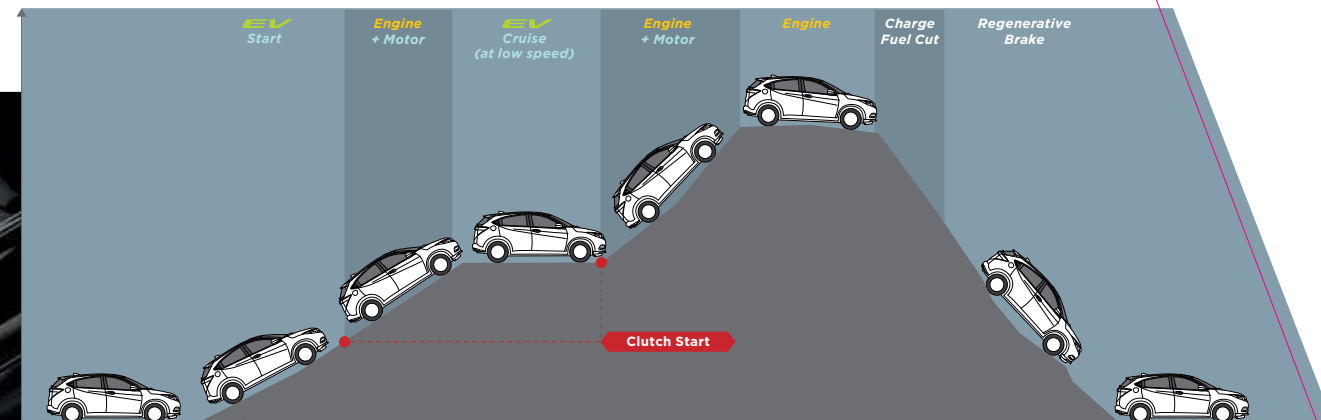
SHIFT BY WIRE

A cutting-edge gear stick designed specifically for Honda Hybrids.



SPORT MODE

Enter the exhilarating Sport Mode at the touch of a button.



Stop

BENEFITS

1. EV Mode when vehicle starts
2. EV Mode while cruising
3. When braking, motor disconnects with engine for better energy regeneration

Start, cruise and regenerative braking leads to better fuel efficiency.

Find out more about hybrid technology at honda.com.my

DESIRE, PERSONALISED



Why stop at turning heads when you can make a personalised statement too? From practical interior add-ons to sophisticated exterior accessories, make your HR-V truly yours with Honda Genuine and Authorised Accessories.

Modulo
Honda Custom Performance
Honda Genuine Accessories

*Front Aero Bumper, Side Under Spoiler, Rear Aero Bumper and Sport Pedal are not applicable to the RS. Actual model, features and specifications may vary in detail from images shown. Features and specifications are subject to change without prior notice.

HOW DOES A

SPORT HYBRID i-DCD
Intelligent Dual-Clutch Drive

WORK?

MODULO PACKAGE#

Bold yet sleek enhancements that complement the HR-V's sporty styling.

FRONT AERO BUMPER*

SIDE UNDER SPOILER*

REAR AERO BUMPER*

DOOR MIRROR GARNISH

URBAN PACKAGE#

Dynamic enhancements to accentuate the HR-V's sophisticated side.

DOOR VISOR

ILLUMINATED SIDE STEP

FOOT LIGHT

SPORT PEDAL*

UTILITY PACKAGE

Practical add-ons that do not compromise on style.

TRUNK TRAY

TRUNK ORGANISER

SUN SHADE

DOOR PROTECTOR FILM

OTHER ITEMS

Honda AUTHORISED WINDOW TINT FILM

Tint Film Package	TSER****
Horizon Safety	50%
Ray Barrier 4	52%
Ray Barrier 6	52%
Ray Barrier Premier 6	58%
Horizon Safety +	58%
Ray Barrier 4 +	60%
Horizon Security Premium +	60%
Ray Barrier 6 +	60%
Ray Barrier Premier 6 +	60%

****Total Solar Energy Rejection (% reflects highest performance window in a package).

Energy Saving

Shielded From Harmful Rays

Long Lasting Performance

JPJ Compliant

5 years Manufacturing Warranty

WHEEL LOCK NUT



ULTRA WINDOW COATING



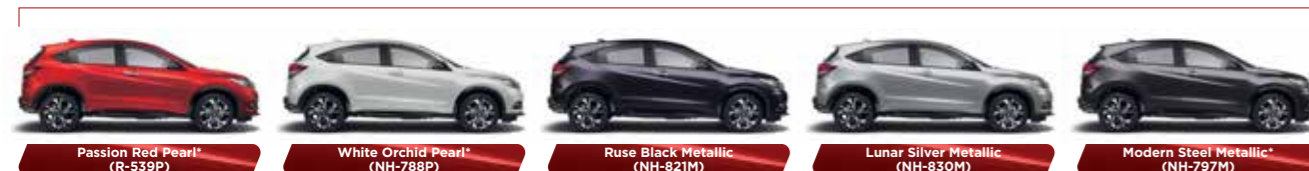
ULTRA GLASS BODY COATING



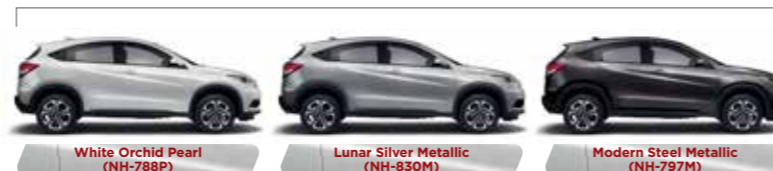
SPECIFICATIONS

GRADE	E	V	RS	Hybrid
ENGINE				
Engine Type	4 Cylinders, 16 Valve, SOHC i-VTEC		4 Cylinders, 16 Valve, Direct Injection DOHC i-VTEC	
Displacement (cc)	1,799		1,496	
Fuel Supply System	Electronic Fuel Injection (PGM-FI)			
Max Power [PS (kW) @ rpm]	142 (105) @ 6,500		Engine: 132 (97) @ 6,600 Motor: 29.5 (22) @ 1,313 - 2,000 Combined Output: 152 (112)	
Max Torque [Nm @ rpm]	172 @ 4,300		Engine: 156 @ 4,600 Motor: 160 @ 0 - 1,313 Combined Output: 190	
TRANSMISSION				
Transmission Type	Continuous Variable Transmission (CVT)		7-Speed Dual-Clutch Transmission (7DCT)	
STEERING SYSTEM				
Type	Electric Power Steering (EPS)			
Turning Radius at Body (m)	5.7		5.7	
Variable Gear Ratio (VGR)	-		-	
SUSPENSION SYSTEM				
Front Type	MacPherson Strut			
Rear Type	Torsion Beam			
BRAKE SYSTEM				
Front Type	Ventilated Disc			
Rear Type	Solid Disc			
Parking Brake	Electric Parking Brake			
TYRES & WHEELS				
Alloy Wheels	17"		17"	
Tyre Size	215/55R17		215/55R17	
Spare Tyre	16" Temp		Temporary Repair Kit	
DIMENSIONS				
Length x Width x Height (mm)	4,334 x 1,772 x 1,605		4,334 x 1,772 x 1,605	
Wheelbase (mm)	2,610			
Tread Front/Rear (mm)	1,535/1,540			
Curb Weight (kg)	1,257	1,271	1,290	1,300
Fuel Tank Capacity (Litre)	50			
Boot Capacity Rear Seat Up/Rear Seat Down (Litre)	437/1,032		404/991	

Honda HR-V 1.8L Petrol



Honda HR-V 1.5L Hybrid



MAJOR EQUIPMENT

GRADE	E	V	RS	Hybrid
EXTERIOR				
Headlights	Halogen	LED	LED	Halogen
Auto Headlights	•	•	•	•
Headlights Levelling	Manual	Auto	Auto	Manual
Daytime Running Lights	•	•	•	•
Front Fog Lights	Bulb	LED	LED	Bulb
Side Mirror with Turning Lights	•	•	•	•
Taillights	LED (Direct)	LED (Guide)	LED (Guide)	LED (Direct)
Antenna	Shark Fin	Shark Fin	Shark Fin	Shark Fin
Front Grille	Bar Type	Bar Type	Sport Type	Bar Type
Front Fog Garnish	Bar Type	Bar Type	Mesh Type	Bar Type
Front & Rear Lower Bumpers	Non-Paint Black	Non-Paint Black	Sport Black	Non-Paint Black
Side Sill	Non-Paint Black	Non-Paint Black	Sport Black	Non-Paint Black
Door Mirror	Body Colour	Body Colour	Sport Black	Body Colour
Outer Door Handle	Body Colour	Chrome	Dark Chrome	Body Colour
Licence Garnish	Dark Chrome	Dark Chrome	Black Chrome	Dark Chrome
INTERIOR & CONTROL				
Smart Entry with Push Start Button	•	•	•	•
ECON Button	•	•	•	•
Power Adjustable Door Mirrors	•	•	•	•
Power Retractable Door Mirrors	•	•	•	•
Steering Wheel Audio Control	•	•	•	•
Cruise Control	•	•	•	•
Paddle Shift	•	•	•	•
One Touch Lane Change	•	•	•	•
Advanced Multi-Information Combination Meter	•	•	•	•
Steering Control Switch	Audio	Audio	Audio	Audio & i-MID
Air Conditioning	Auto Aircon	Auto Aircon	Auto Aircon	Auto Aircon
3 Spoke Steering Wheel	Split Leather	Full Leather	Full Leather	Split Leather
Upholstery	Half Leather (Black)	Full Leather (Black)	Full Leather (Ivory)	Half Leather (Black)

GRADE	E	V	RS	Hybrid
8-Way Driver Power Seat	-	•	•	-
High Deck Centre Console with Armrest	•	•	•	•
ULTRA Seats	•	•	•	•
Sport Pedal	-	-	•	-
AUDIO				
Audio System	6.8" Display Audio	7" Display Audio	7" Display Audio	6.8" Display Audio
HDMI Port	•	•	•	•
USB Port	•	•	•	•
Hands-Free Telephone (HFT)	•	•	•	•
Accessory Port	•	•	•	•
Speakers	4	4	4	4
SAFETY & SECURITY				
Dual Front SRS Airbags	•	•	•	•
Side Airbags	•	•	•	•
Side Curtain Airbags	•	•	•	•
Automatic Brake Hold (ABH)	•	•	•	•
Anti-Lock Braking System (ABS)	•	•	•	•
Electronic Brake Distribution (EBD)	•	•	•	•
Hill Start Assist (HSA)	•	•	•	•
Vehicle Stability Assist (VSA)	•	•	•	•
Emergency Stop Signal (ESS)	•	•	•	•
Rear Seat ISO Fix	•	•	•	•
Multi-Angle Rearview Camera	•	•	•	•
Honda LaneWatch Camera (LWC)	-	•	•	-
Security Alarm with Immobiliser	•	•	•	•

• Standard
Specifications may vary and are subject to change without prior notice.
Actual colour may vary in detail from colours shown.

Honda Service Package



5-year Warranty with Unlimited Mileage.**



Applicable up to 6 times for petrol variants, 5 times for Hybrid variant within 100,000km or 5 years.**



8-year Hybrid Battery (Lithium-ion) Warranty with Unlimited Mileage.**

Authorised Dealer:

*REV UP YOUR
DESIRE*